



CAB #40335
FOR
Kubota L2501, L3301 & L3901

OPERATION - PARTS LIST - ASSEMBLY

IMPORTANT

READ THIS MANUAL CAREFULLY AND KEEP FOR FUTURE REFERENCE

CAUTION !

REMOVE THE VINYL PANELS FOR TRANSPORT IN AN OPEN TRUCK OR TRAILER

WARNING !

THIS CAB WILL NOT PROTECT OPERATOR FROM INJURIES CAUSED BY ROLLOVER,
COLLISION, OR OTHER ACCIDENTS



WARNING

This cab is designed to provide foul weather protection only. It does not provide protection from noise, exhaust fumes, chemicals or injury from roll-over, collision, or other accidents.

1. Do not operate machine in confined areas without proper ventilation.
2. Thoroughly check area of operation before using machine.
3. The cab adds height to the machine. Low tree limbs and other overhead structures that did not interfere with the operation of the machine before, may now be obstacles.

MAINTENANCE INSTRUCTIONS

Periodically check all bolts to see that they are tight. If bolts become loose, failure of cab parts may occur.

Door latches and hinges should be lubricated with light machine oil for proper operation.

**DO NOT CLEAN THE CLEAR PLASTIC WINDOWS WHEN THE PLASTIC IS DRY.
THE CLEAR PLASTIC WILL SCRATCH.**

Avoid contact with plastic windows. Keep plastic windows clean by washing them with clear running water and rubbing with your bare hands, only. The use of a rag, sponge or brush will scratch the plastic. Liquid soap may also be used for window cleaning. During freezing weather, an automotive windshield washer solvent may be used.

Use liquid soap and water to clean colored vinyl portions. Scrubbing with a brush or rag is also permitted on the colored vinyl portions

STORAGE INSTRUCTIONS

Prior to storage clean the windows and colored vinyl parts with a mild automotive detergent, rinse with clean water and allow to thoroughly dry, Store cab in a clean dry place out of direct sunlight. Avoid folding plastic windows.

INSTALLATION

READ THIS MANUAL COMPLETELY BEFORE BEGINNING INSTALLATION.

- The right side of the machine is determined from the operators seated position.
- The words "bolt" will refer to a 1/4"x5/8" bolt and "lock nut" will refer to a 1/4" lock nut unless specified otherwise.
- Do not tighten bolts during assembly unless instructed to do so.
- Park tractor on level ground, lower attachments to ground, remove start key.

LIMITED WARRANTY SNOW REMOVAL EQUIPMENT CABS

COVERED BY WARRANTY

ORIGINAL TRACTOR CAB CO., INC., (the "Company") warrants to the owner that each new product listed below is merchantable and free of defects in workmanship and material.

During the warranty period, the dealer from whom the product was bought, or the Company, will provide, free of charge, parts and the shipping costs of parts necessary to correct any defect in workmanship and material.

WARRANTY PERIOD

The company products listed below are warranted for the stated period from the date of the original purchase:

- | | |
|--|--------|
| 1. Cabs for tractors and snow removal equipment | 1 Year |
| 2. Company manufactured accessories for above cabs | 1 Year |
| 3. Sunshades for lawn and garden tractors | 1 Year |
| 4. Repair parts | 1 Year |

OWNER'S RESPONSIBILITIES

The owner of a new Company manufactured product must do the following to qualify for warranty service :

1. Retain the original invoice or other proof of purchase to avoid unnecessary difficulties in determining eligibility for warranty work.
2. Notify the dealer from whom the product was bought, or the company, as soon as possible after discovery of a possible defect, and provide proof of original purchase.

To notify the company write to: Original Tractor Cab Co., Inc., P.O. Box 97, Arlington, IN 46104.

3. the owner may, upon notification by the Company, be required to return the defective part, or parts, to the Company for inspection and warranty service.

NOT COVERED BY WARRANTY

The following are not covered by this warranty:

1. Transportation charges to and from servicing dealer or the Company;
2. New products which have been subject to misuse, negligence or accident, or have been altered or repaired in a manner not authorized by the company;
3. Windshield wipers, lights, or accessories that are warranted separately by their respective manufacturers, except Company agrees to make available to the owner whatever warranty benefits may be made available to the Company by the manufacturers.

All implied warranties, except to the extent prohibited by any applicable law, shall have no greater duration than the warranty period for the applicable product, some states do not allow limitation on how long an implied warranty lasts, so the above limitation may not apply to you.

The Companys' liability arising out of warranties representation, instructions, or defects from any abuse, shall be limited exclusively to repair or replacing parts under the condition in the warranty, and in no event will Company be liable for incidental or consequential damages. Some states do not allow the exclusion or limitation of incidental or consequential damages, so the above limitation or exclusion may not apply to you.

This warranty gives you specific legal rights, and you may also have rights that vary from state to state.

Carton Contents: Cab #40355 For Kubota L2501, L3301 & L3901

Key#	Part#	Qty.	Description	
1	40356	1	Foot, RH	
2	40357	1	Foot, LH	
3	10926	2	Front Post	
4	40086	1	Front Cross Bar	
5	40362	1	Front Panel Frame Brace, RH (bent)	
6	40363	1	Front Panel Frame Brace, LH	
7	60227	1	Steering Column U-Clamp	
8	40358	1	Rear Post Bracket, RH	
9	40359	1	Rear Post Bracket, LH (bent)	
10	40062	1	Rear Post, RH	
11	40063	1	Rear Post, LH	
12	40338	2	Rear Boxing Posts	
13	40360	1	R.O.P.S. Bracket, RH	
14	40361	1	R.O.P.S. Bracket, LH	
15	40001	1	Top Frame	
16	4764	1	ABS Plastic Top	
17	40364	1	Rear Curtain	
18	40365	1	Front Panel Vinyl	
19	40004	1	Safety Glass Windshield	
20	40366	1	Door, RH	
21	40367	1	Door, LH	
22	40368	1	Door Bottom, RH	
23	40369	1	Door Bottom, LH	
24	10122-A	1	Electric Wiper Kit	
25	9820	1	Door Hardware Package	
26	40370	1	Hardware Package (contents listed below)	
	786	12	1/4"-20 x 5/8" Cap Screw	
	788	6	1/4"-20 x 3/4" Cap Screw	
	730	18	1/4"-20 Two Way Locknut	
	1514	4	1/4" Flat Washer	
	0784	2	5/16"-18 x 3/4" Cap Screw	For: Foot, RH & LH
	5073	1	5/16"-18 x 2 3/4" Cap Screw	For: Steering Column Clamp
	9842	3	5/16"-18 Flange Locknut	
	9844	2	5/16" x 1" Fender Washer	For: Feet, RH & LH
	0783	1	3/8"-16 x 3/4" Cap Screw	For: Rear Post Bracket, LH
	906	4	3/8"-16 x 1" Cap Screw	For: R.O.P.S. Brackets
	60246	2	3/8" x 1 1/4" Extra Thick Fender Washer	For: R.O.P.S. Brackets
	9720	5	3/8"-16 Flange Locknut	
	4902	2	Plastic Protector, Slotted	

Step 1; See Figure 1:
Identify the steel parts by using Figure 1.

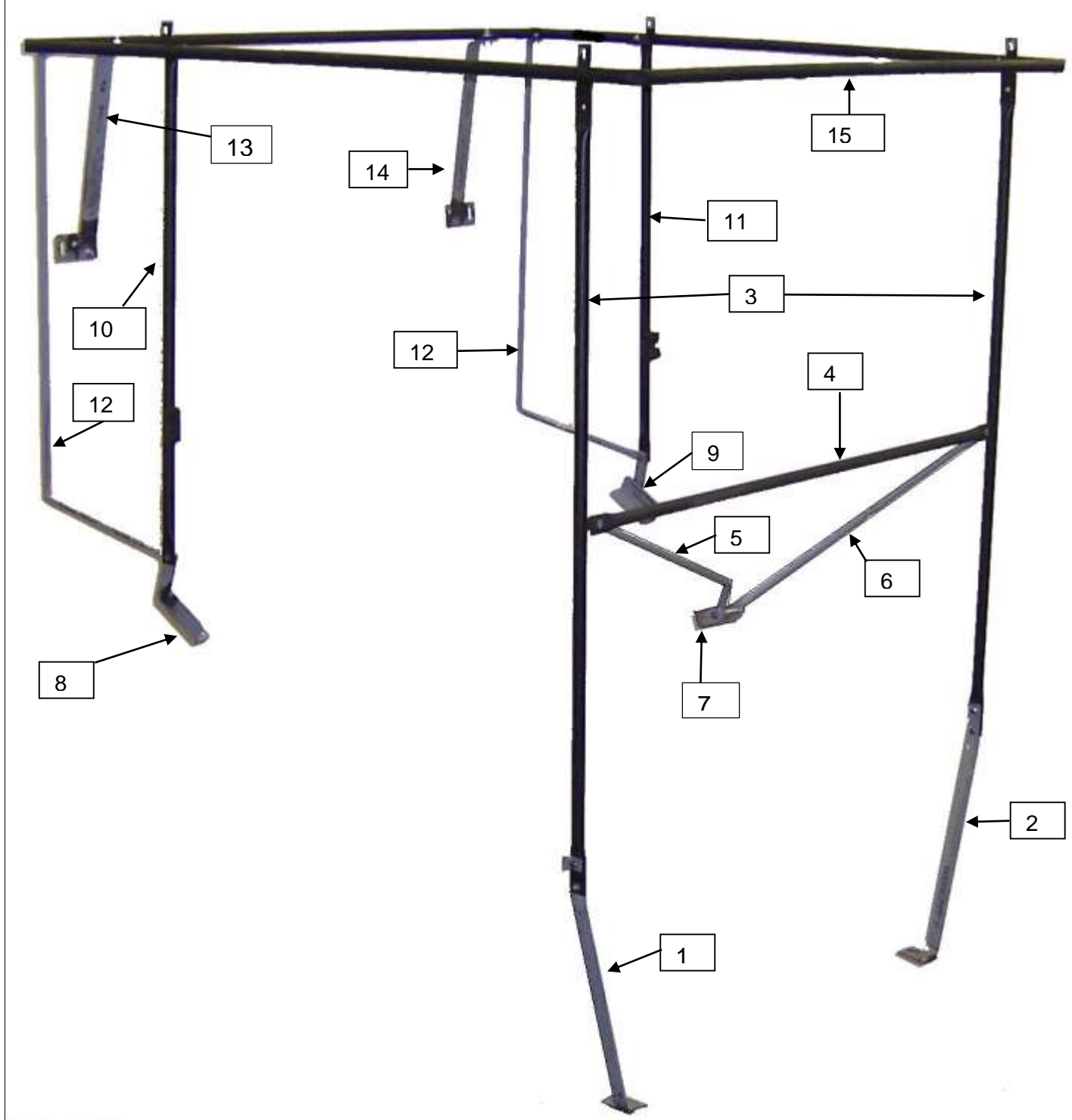


Figure 1

Tools Needed for Installation:

Wrenches: 7/16" 1/2" 9/16"

Ratchet / Sockets: 7/16" 1/2" 9/16" 3/4"
14mm

Allen Wrench: 3/32"

Step 2; See Figure 2:

Install right Foot (1)

A. Place the right Foot on the step plate over the hole as shown. Insert a 5/16" x 3/4" bolt with a 5/16" x 1" fender washer into the hole.

C. Place 5/16" flange nuts on the bolt. Do not tighten at this time.

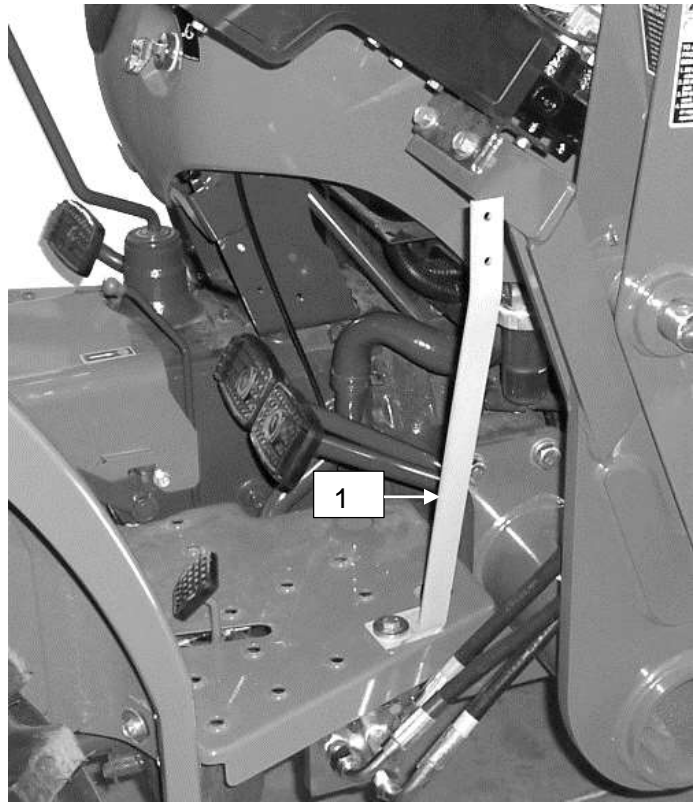


Figure 2

Step 3; See Figure 3:

Install left Foot (2).

A. Place the left Foot on the step plate over the hole as shown. Insert a 5/16" x 3/4" bolt with a 5/16" x 1" fender washer into the hole.

C. Place 5/16" flange nuts on the bolt. Do not tighten at this time.

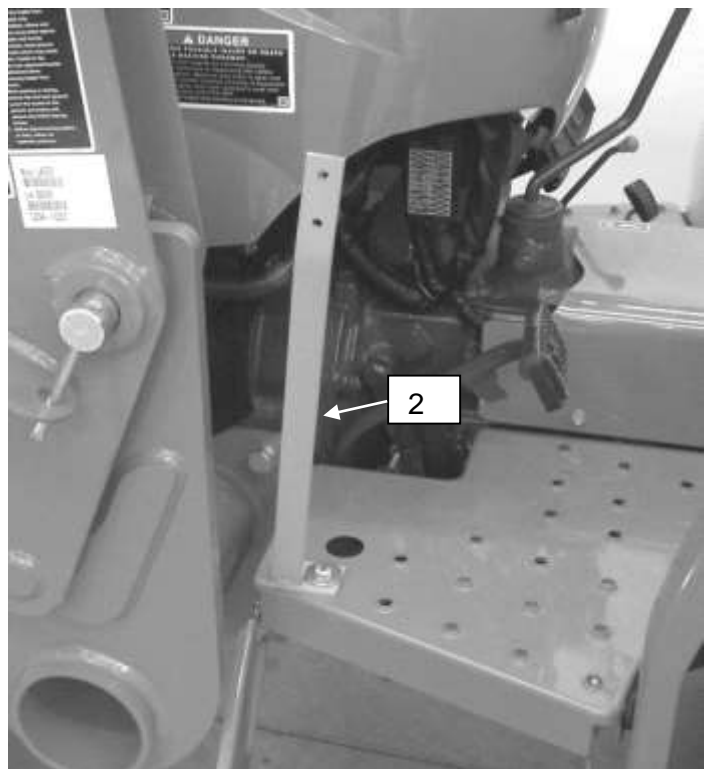


Figure 3

Step 4; See Figure 4:
Install Front Posts (4)

A. Insert a bolt outwards through the lower hole in the foot, and then the lower hole in the post. Add a nut do not tighten at this time.

C. Insert a 1/4" x 3/4" bolt out through the upper hole in the right Foot and the upper hole in the post. Place a Door Hinge from the Door Hardware package over the bolt and add a nut. Do not tighten at this time.

D. Repeat the above steps on the left side.

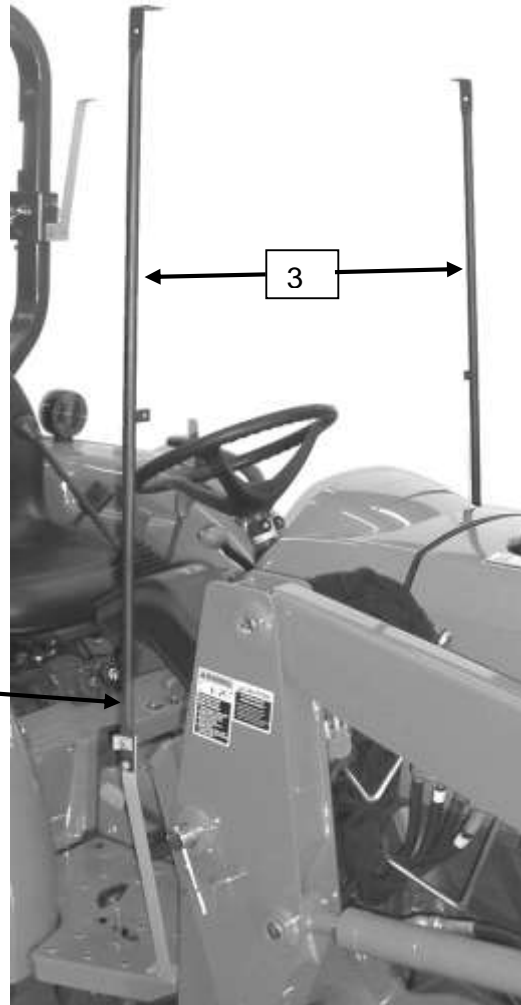


Figure 4

Step 5; See Figure 5:
Install the Front Cross Bar (4), right (bent) and left Front Cross Bar Braces (5 & 6) and the "U" Clamp (7).

A. Insert a 1/4 x 3/4" bolt forward through the tab on the right (bent) Front Cross Bar Brace and then the tab on the right Front Post. Add a nut. Do not tighten at this time.

B. Insert a 1/4 x 3/4" bolt forward through the tab on the left Front Cross Bar Brace and then the tab on the left Front Post. Add a nut. Do not tighten at this time.

C. Place the "U" Clamp open end forward over the steering column. Insert a 5/16" x 2 3/4" bolt Through the right Front Cross Bar Brace, the "U" Clamp and then the left Front Cross Bar Brace. Add a 5/16" locknut. Do not tighten at this time.

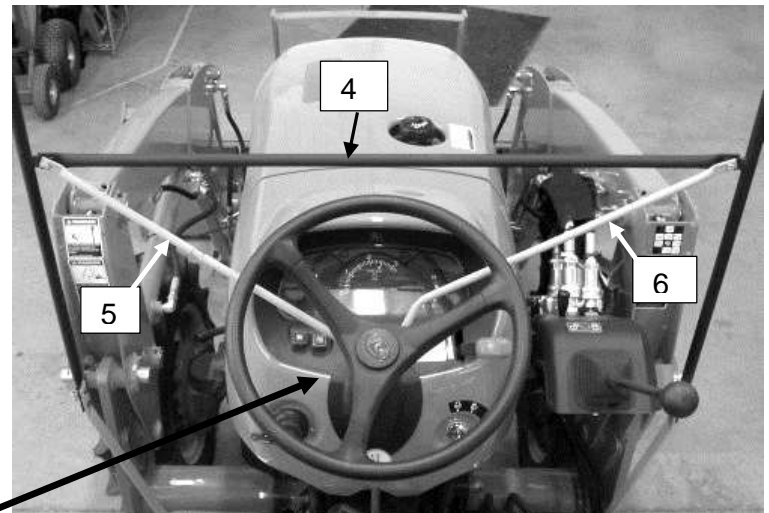
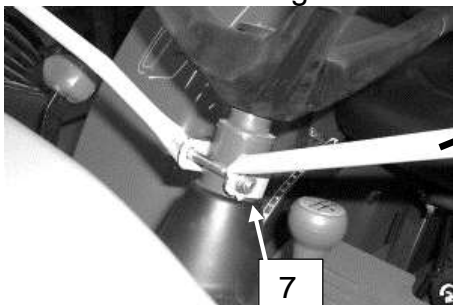


Figure 5

Step 6; See Figure 6:

Install right Rear Post Brackets (8).

A. Remove the plastic plug on the left fender. Place the right Rear Post Bracket over the hole. Insert a 3/8" x 3/4" bolt down through the holes. Add a 3/8" locknut. Do not tighten at this time.



Figure 6

Step 7; See Figure 7:

Install left Rear Post Brackets (9) (bent).

A. Remove the Handle on the left fender. Place the left Rear Post Bracket over the rear hole. Replace the handle and nuts. Do not tighten at this time.

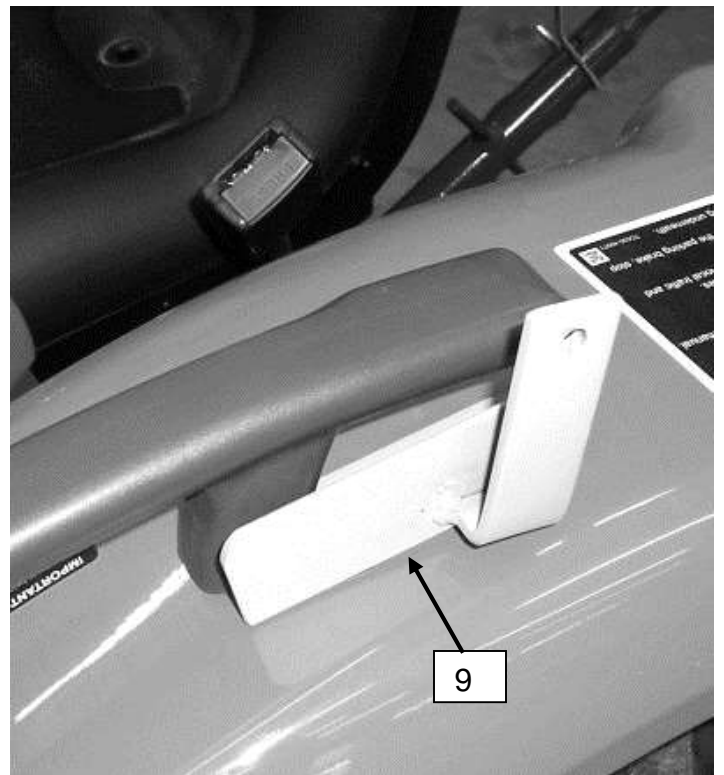


Figure 7

Step 8; See Figure 8:

Install right and left ROPS Bracket (13 & 14).

A. Attach the ROPS Brackets to the ROPS using 3/8" x 1" bolts with the thick 3/8" washers and a lock nut. Tighten just enough to hold the parts in place.



Figure 8

Step 9; See Figure 9:

Install Top Frame (15)

A. Place the top frame onto the bent ends of the posts.

B. Insert two bolts up through the Front Posts. Add nuts. Do not tighten at this time.

C. Use 3/8" x 1" bolts pointed up and 3/8" lock nuts to secure the ROPS Brackets to the slotted tabs at the rear of the Top Frame.

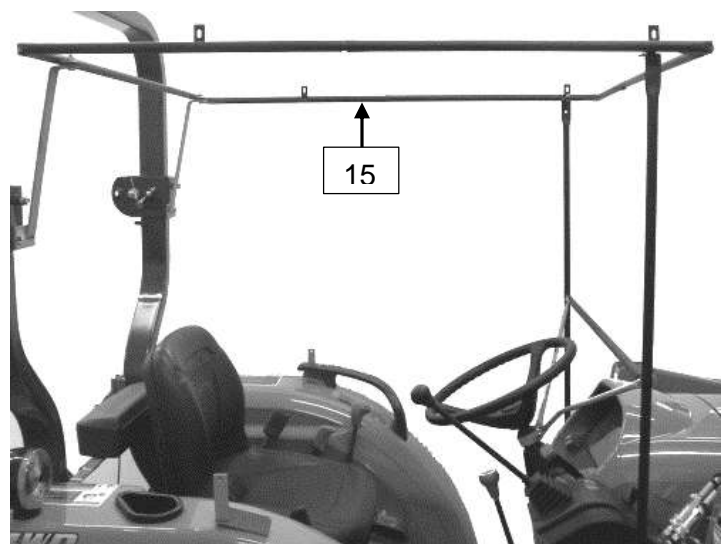


Figure 9

Step 10: See Figure 10:

Install right and left Rear Posts (10 & 11) and Rear Boxing Posts (12).

NOTE: When properly installed Rear Post latch plates will face forward with the notch to the outside.

A. Insert four bolts up through the Rear Posts, the Boxing Posts and the tabs on the Top Frame. Add nuts. Do not tighten at this time.

B. Insert a 1/4" x 3/4" bolt outwards through a Boxing Post, Rear Bracket and then the right Rear Post. Add a nut. Do not tighten at this time

C. Repeat step 10 on the left side with left Posts.

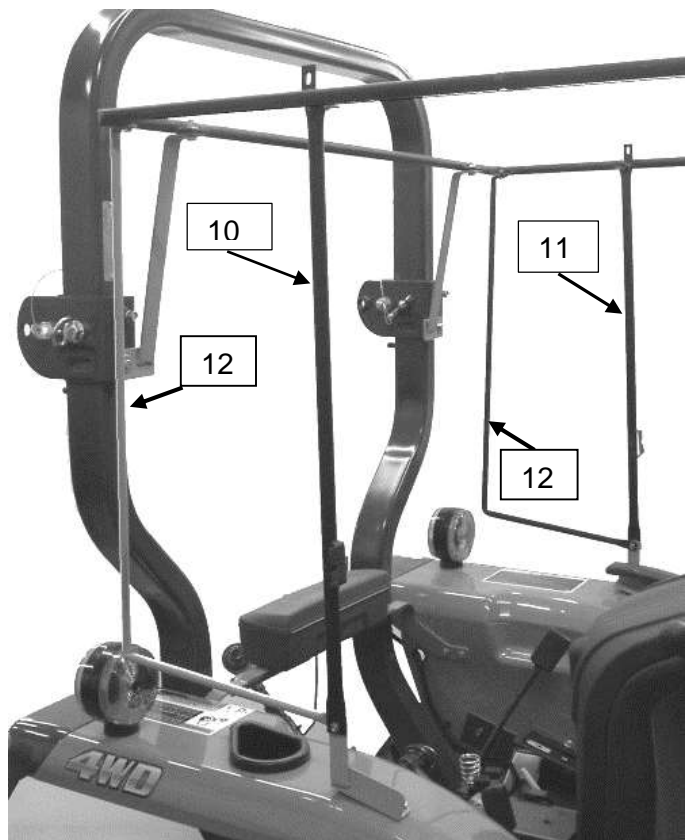


Figure 10

Step 11: See Figure 11:

Install the Doors for frame / door alignment.

A. Follow the instructions in the Door Hardware Package to install the Door Bottoms and the Door Latches.

B. Install, close and latch both Doors.

C. Tighten all bolts from previous steps at this time.

D. Remove the Doors by opening them and lifting the rod out of the bottom hinge and lower the door out of the top hinge..



Figure 11

Step 12: See Figure 12:

Install Rear Curtain (17).

Caution: Do not fold the plastic windows and be careful not to scratch them.

A. Position the Rear Curtain over the outside of the framework. Close the Velcro® flaps around the top frame at the back and corners.

B. Close the Velcro® flaps around the rear posts and brackets.

C. Secure the Velcro at the bottom to the ROPS.

D. Place a notched Plastic Protector over the bent ends of each rear post. (See inset)

Step 13: See Figure 13A & B:

Install Front Panel Vinyl (18).

A. Place the Front Panel Vinyl over the hood and lay the rod sewn into the top flap over the Front Panel Frame cross bar.

B. Close the Velcro® flaps around the Front Posts.

C. Run the spring strap under the dash and in front of the steering column support. Hook it into the grommet on the other side.



Figure 12



Figure 13A



Figure 13B

Step 14: See Figure 14:

Install Plastic Top (16) and Windshield (19)

- A.** Place the Plastic Top on the Top Frame.
- B.** Set the bottom lip of the Windshield frame on top of Front Panel Vinyl and the front Cross Bar. Raise the front of the top up and push the windshield against the frame. Lower the top trapping the windshield in place.
- C.** Insert four bolts with 1/4" flat washers through the top and the tabs. Add locknuts and tighten.
- D.** Install the Windshield Wiper per the instructions in the Wiper package.
- E.** Reinstall the Doors and attach the Velcro® flaps of the Front Panel Vinyl to the Doors while fitting the vinyl around the step plates.

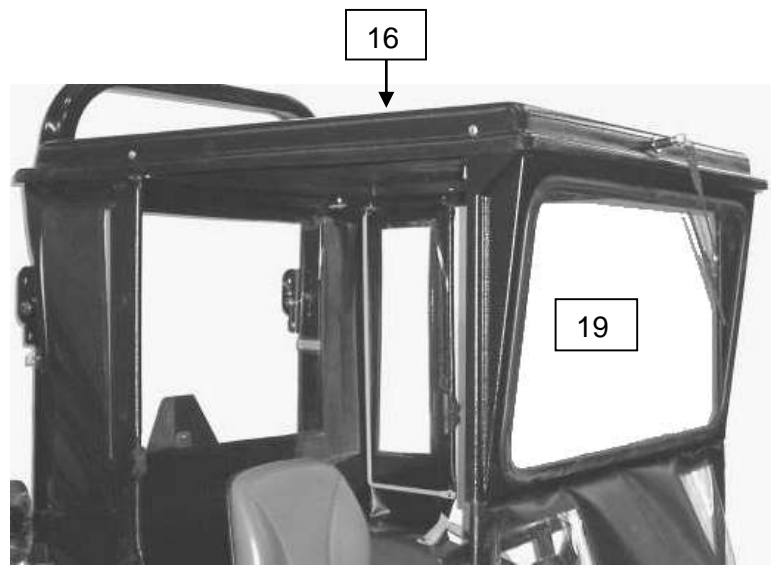


Figure 14

Optional Cab Accessories:

- # 9855 Flashing Amber Caution Light**
- #11133 Rear View Mirror, R or L Mount**
- #11560 Work Light Kit**



For Replacement Parts and Accessories Contact:

Original Tractor Cab Co., Inc.

P.O. Box 97 6849 W. Front St.

Arlington, IN 46104

Phone 765-663-2214

Fax 765-663-2101

Email Sales@originalcab.com

Visit us on the web to see our other products.

www.originalcab.com

Cabs for Lawn Tractors, Garden Tractors, Compact Tractors, Snow Blowers, Utility Vehicles

Sunshades for Tractors, Mowers, & Utility Vehicles

Storage Covers for Lawn and Garden equipment.