



**CAB #40309**  
FOR  
**New Holland Boomer 30, 35, 40, 50**

**OPERATION - PARTS LIST - ASSEMBLY**

**IMPORTANT**

READ THIS MANUAL CAREFULLY AND KEEP FOR FUTURE REFERENCE

**CAUTION !**

REMOVE THE VINYL PANELS FOR TRANSPORT IN AN OPEN TRUCK OR TRAILER

**WARNING !**

THIS CAB WILL NOT PROTECT OPERATOR FROM INJURIES CAUSED BY ROLLOVER,  
COLLISION, OR OTHER ACCIDENTS



# WARNING

This cab is designed to provide foul weather protection only. It does not provide protection from noise, exhaust fumes, chemicals or injury from roll-over, collision, or other accidents.

1. Do not operate machine in confined areas without proper ventilation.
2. Thoroughly check area of operation before using machine.
3. The cab adds height to the machine. Low tree limbs and other overhead structures that did not interfere with the operation of the machine before, may now be obstacles.

## MAINTENANCE INSTRUCTIONS

Periodically check all bolts to see that they are tight. If bolts become loose, failure of cab parts may occur.

Door latches and hinges should be lubricated with light machine oil for proper operation.

**DO NOT CLEAN THE CLEAR PLASTIC WINDOWS WHEN THE PLASTIC IS DRY.  
THE CLEAR PLASTIC WILL SCRATCH.**

Avoid contact with plastic windows. Keep plastic windows clean by washing them with clear running water and rubbing with your bare hands, only. The use of a rag, sponge or brush will scratch the plastic. Liquid soap may also be used for window cleaning. During freezing weather, an automotive windshield washer solvent may be used.

Use liquid soap and water to clean colored vinyl portions. Scrubbing with a brush or rag is also permitted on the colored vinyl portions

## STORAGE INSTRUCTIONS

Prior to storage clean the windows and colored vinyl parts with a mild automotive detergent, rinse with clean water and allow to thoroughly dry, Store cab in a clean dry place out of direct sunlight. Avoid folding plastic windows.

## INSTALLATION

**READ THIS MANUAL COMPLETELY BEFORE BEGINNING INSTALLATION.**

- The right side of the machine is determined from the operators seated position.
- The words "bolt" will refer to a 1/4"x5/8" bolt and "lock nut" will refer to a 1/4" lock nut unless specified otherwise.
- Do not tighten bolts during assembly unless instructed to do so.
- Park tractor on level ground, lower attachments to ground, remove start key.

# LIMITED WARRANTY SNOW REMOVAL EQUIPMENT CABS

## COVERED BY WARRANTY

ORIGINAL TRACTOR CAB CO., INC., (the "Company") warrants to the owner that each new product listed below is merchantable and free of defects in workmanship and material.

During the warranty period, the dealer from whom the product was bought, or the Company, will provide, free of charge, parts and the shipping costs of parts necessary to correct any defect in workmanship and material.

## WARRANTY PERIOD

The company products listed below are warranted for the stated period from the date of the original purchase:

- |  |        |
|--|--------|
| 1. Cabs for tractors and snow removal equipment    | 1 Year |
| 2. Company manufactured accessories for above cabs | 1 Year |
| 3. Sunshades for lawn and garden tractors          | 1 Year |
| 4. Repair parts                                    | 1 Year |

## OWNER'S RESPONSIBILITIES

The owner of a new Company manufactured product must do the following to qualify for warranty service :

1. Retain the original invoice or other proof of purchase to avoid unnecessary difficulties in determining eligibility for warranty work.
2. Notify the dealer from whom the product was bought, or the company, as soon as possible after discovery of a possible defect, and provide proof of original purchase.

To notify the company write to: Original Tractor Cab Co., Inc., P.O. Box 97, Arlington, IN 46104.

3. the owner may, upon notification by the Company, be required to return the defective part, or parts, to the Company for inspection and warranty service.

## NOT COVERED BY WARRANTY

The following are not covered by this warranty:

1. Transportation charges to and from servicing dealer or the Company;
2. New products which have been subject to misuse, negligence or accident, or have been altered or repaired in a manner not authorized by the company;
3. Windshield wipers, lights, or accessories that are warranted separately by their respective manufacturers, except Company agrees to make available to the owner whatever warranty benefits may be made available to the Company by the manufacturers.

**All implied warranties, except to the extent prohibited by any applicable law, shall have no greater duration than the warranty period for the applicable product, some states do not allow limitation on how long an implied warranty lasts, so the above limitation may not apply to you.**

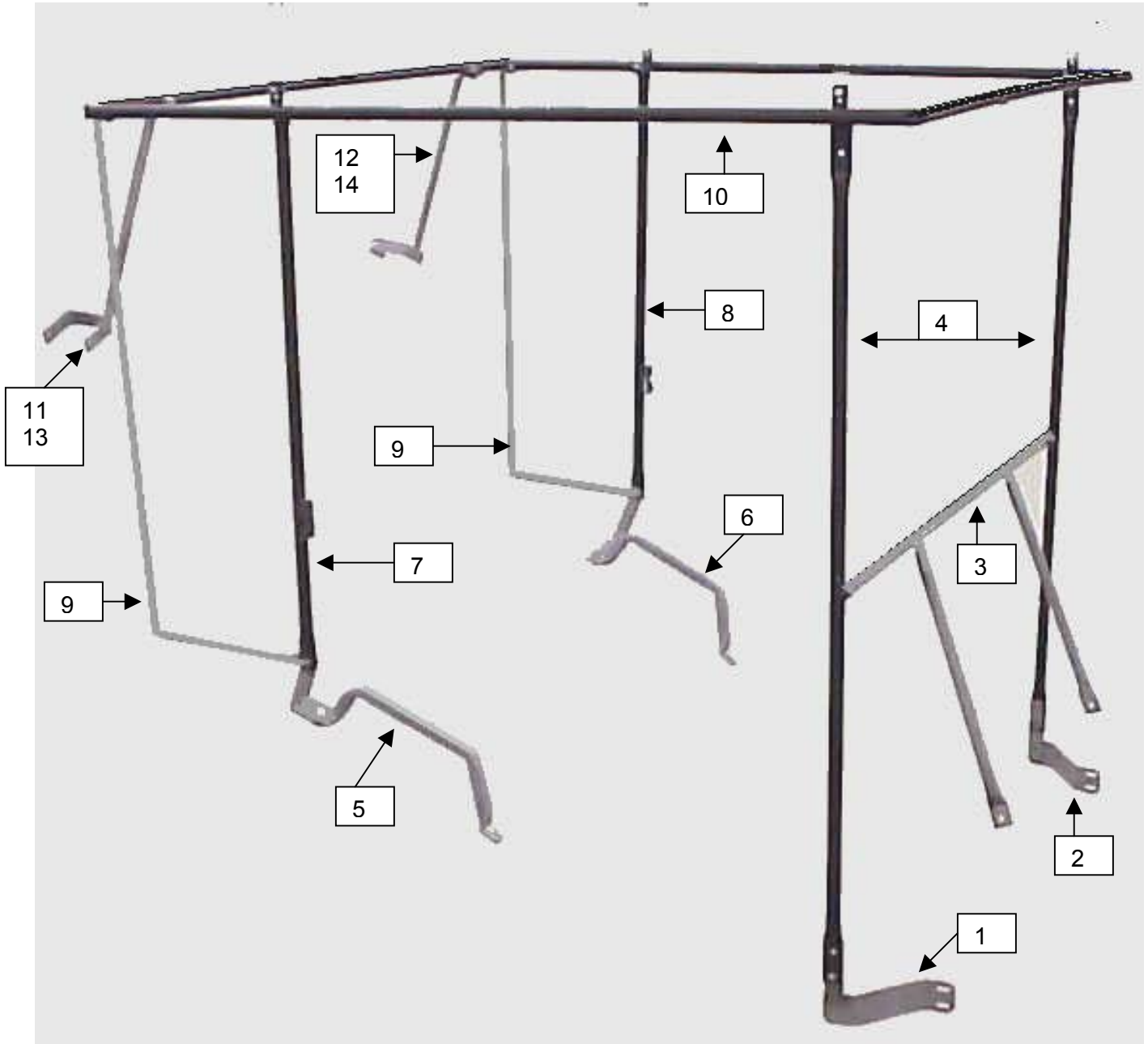
**The Companys' liability arising out of warranties representation, instructions, or defects from any abuse, shall be limited exclusively to repair or replacing parts under the condition in the warranty, and in no event will Company be liable for incidental or consequential damages. Some states do not allow the exclusion or limitation of incidental or consequential damages, so the above limitation or exclusion may not apply to you.**

**This warranty gives you specific legal rights, and you may also have rights that vary from state to state.**

**Carton Contents: Cab #40309 for New Holland Boomer 30, 35, 40, 50**

Key#	Part#	Qty.	Description
1	40310	1	Front Post Bracket, RH
2	40311	1	Front Post Bracket, LH
3	40312	1	Front Panel Frame
4	10926	2	Front Post
5	40313	1	Rear Post Bracket, RH
6	40314	1	Rear Post Bracket, LH
7	40062	1	Rear Post, RH
8	40063	1	Rear Post, LH
9	40319	2	Rear Boxing Posts
10	40001	1	Top Frame
11	40315	1	R.O.P.S. Bracket, RH - Straight for (Boomer 30 & 35)
12	40316	1	R.O.P.S. Bracket, LH - Straight for (Boomer 30 & 35)
13	40317	1	R.O.P.S. Bracket, RH - Angled for (Boomer 40 & 50)
14	40318	1	R.O.P.S. Bracket, LH - Angled for (Boomer 40 & 50)
15	40323-B	1	Rear Curtain
16	40322-B	1	Front Panel Vinyl
17	4764	1	ABS Plastic Top
18	40004	1	Safety Glass Windshield
19	40321	2	Rear Light Extensions (Boomer 40 & 50)
	9820	1	Door Hardware Package
	40324-B	1	Door, RH
	40325-B	1	Door, LH
	40326	1	Door Bottom, RH
	40327	1	Door Bottom, LH
	10122-A	1	Electric Wiper Kit
	40328	1	Hardware Package (contents listed below)
	786	14	1/4"-20 x 5/8" Cap Screw
	788	4	1/4"-20 x 3/4" Cap Screw
	9846	2	1/4"-20 x 4" Cap Screw ROPS Bracket
	730	20	1/4"-20 Two Way Locknut
	1514	8	1/4" Flat Washer
	002	4	1/4" Split Lock Washer
	60246	4	3/16" Thick x 1 1/4" Fender Washer
	785	4	5/16"-18 x 1" Cap Screw
	729	4	5/16"-18 Two Way Locknut
	0007	2	5/16" Split Lock Washer
	906	2	3/8"-16 x 1" Cap Screw
	790	2	3/8"-16 Two Way Locknut
	2908	2	3/8" Flat Washer
	9421	2	1/2"-13 x 1" Cap Screw
	9453	2	1/2"-13 Hex Nut
	3317	2	1/2" Split Lock Washer
	8505	4	M6-1.0 X 20 mm Cap Screw
	8220	2	M8-1.25 x 20mm Cap Screw
	4902	2	Plastic Protector, Slotted

**Step 1; See Figure 1:**  
Identify the steel parts by using Figure 1.



**Figure 1**

**Tools Needed for Installation:**

Wrenches: 7/16" 1/2" 9/16" 3/4"

Sockets: 7/16" 1/2" 9/16" 3/4"  
10mm 12mm 13mm

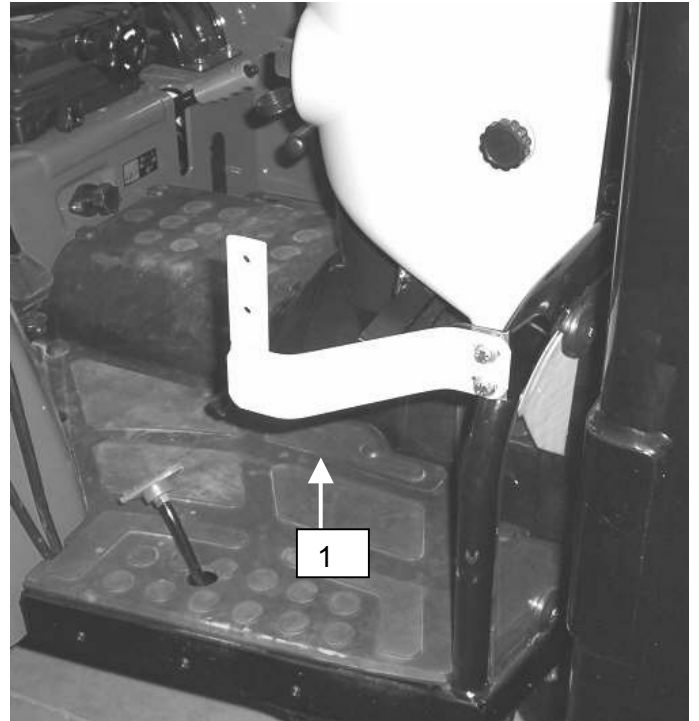
Allen Wrench: 3/32" ratchet

**Step 2; See Figure 2:**

Install right and left Front Post Brackets (1 & 2)

**A.** Place the right Front Post Bracket onto the welded flange on the splashguard. Insert two M6 x 20mm bolts with flat and lock washers into the holes. Hold the bracket in place with the bolts centered in the slots. Tighten the bolts enough to hold the bracket in place.

**C.** Repeat the above steps on the left side.



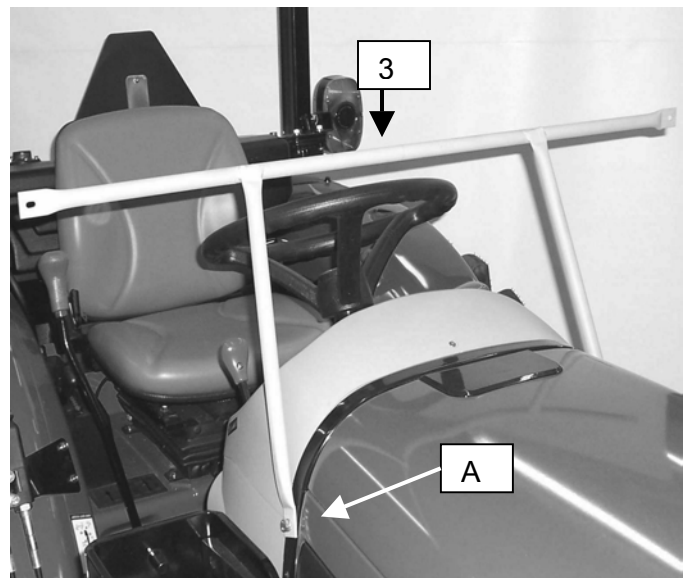
**Figure 2**

**Step 3; See Figure 3:**

Install Front Panel Frame (3)

**A.** Place the Front Panel Frame over the dash. The slotted ends should be vertical. Insert M8 x 20mm bolts with lock washers through the holes and into the upper threaded holes on the side of the dash at Reference A.

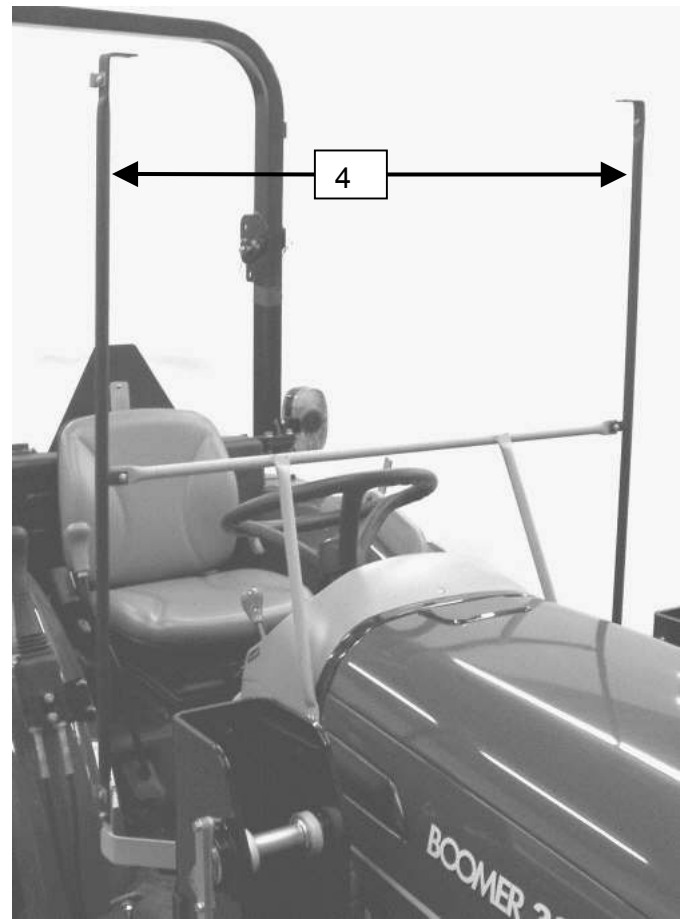
**B.** Tighten the bolts just enough to keep the frame upright.



**Figure 3**

**Step 4; See Figure 4:**  
Install Front Posts (4)

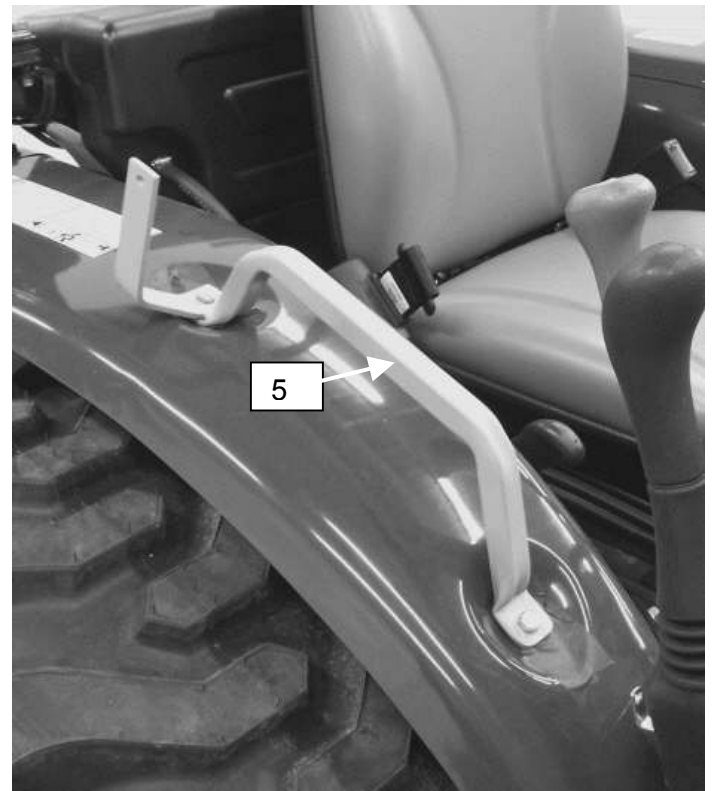
- A.** Insert a bolt forward through the tab on the post, the end of the Front Panel Frame. Add a nut do not tighten at this time.
- B.** Insert a bolt outwards through the lower hole in the foot, and then the lower hole in the post. Add a nut do not tighten at this time.
- C.** Insert a 1/4" x 3/4" bolt out through the upper hole in the Front Post Bracket and the upper hole in the lower end of the post. Place a Door Hinge from the Door Hardware package over the bolt and add a nut. Do not tighten at this time.
- D.** Repeat the above steps on the left side.



**Figure 4**

**Step 5; See Figure 5:**  
Install right and left Rear Post Brackets (5 & 6)

- A.** Remove the handle and the cup holder from the fenders by removing the nuts under the fenders.
- B.** Place the right Rear Post Bracket over the holes. Insert two 5/16" x 1" bolts down through the holes. Place a fender washer over the bolts. Add a 5/16" locknut. Do not tighten at this time.
- C.** Repeat the above steps on the left side.



**Figure 5**

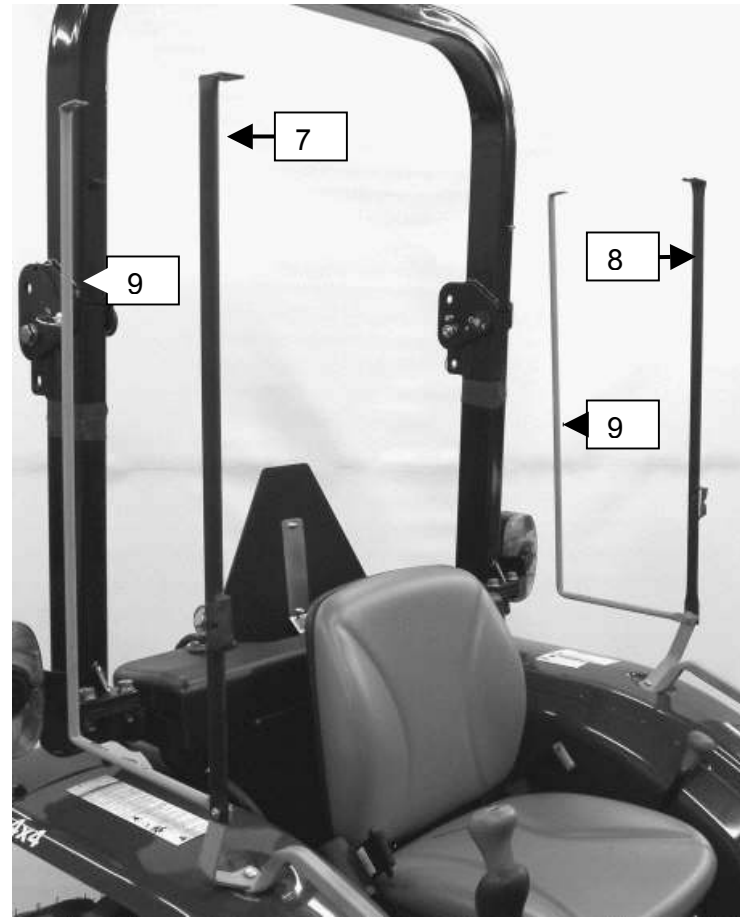
**Step 6; See Figure 6:**

Install right and left Rear Posts (7 & 8) and right and left Rear Boxing Posts (9).

**NOTE:** When properly installed Rear Post latch plates will face forward with the notch to the outside.

**A.** Insert a 1/4" x 3/4" bolt outwards through the right Boxing Post, Rear Bracket and then the right Rear Post. Add a nut. Tighten enough to keep the parts upright.

**B.** Repeat step 6 on the left side with left Posts.



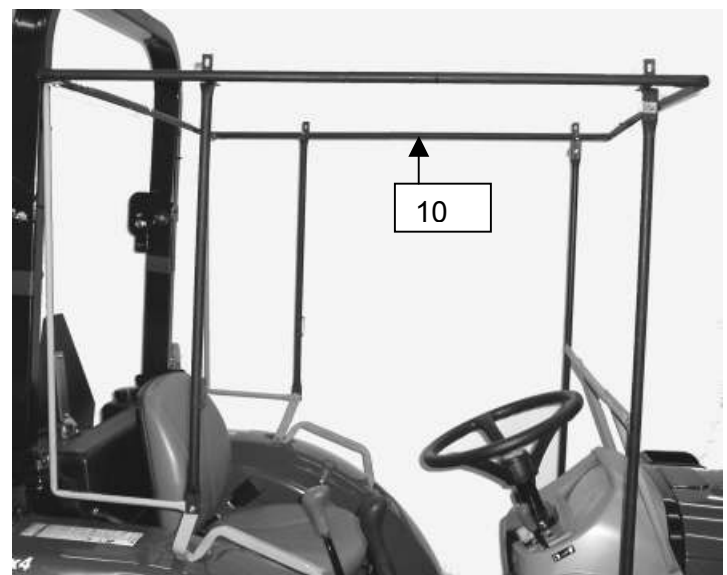
**Figure 6**

**Step 7; See Figure 7:**

Install Top Frame (10)

**A.** Place the top frame onto the bent ends of the posts.

**B.** Insert six bolts up through the Rear Boxing Posts, the Rear Posts, and the Front Posts. Add nuts. Do not tighten at this time.



**Figure 7**



**Step 8; See Figure 8 and 8 A & B:**

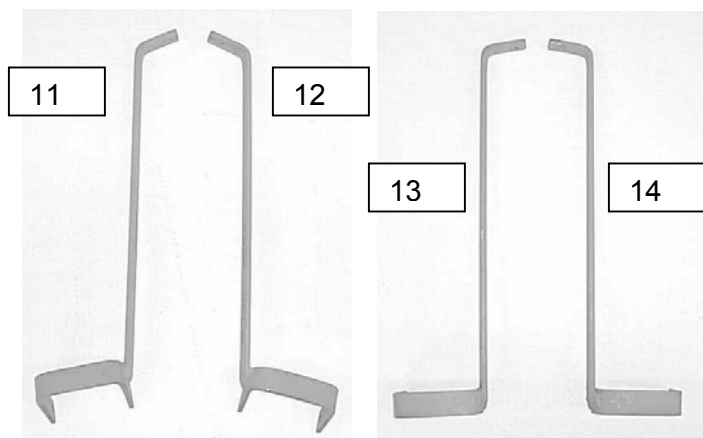
Install right and left ROPS Brackets (11 & 12 or 13 & 14).

**A.** Use the brackets in Figure 8 A for 40 and 50 models.

**B.** Use the brackets in Figure 8 B for 30 and 35 models.

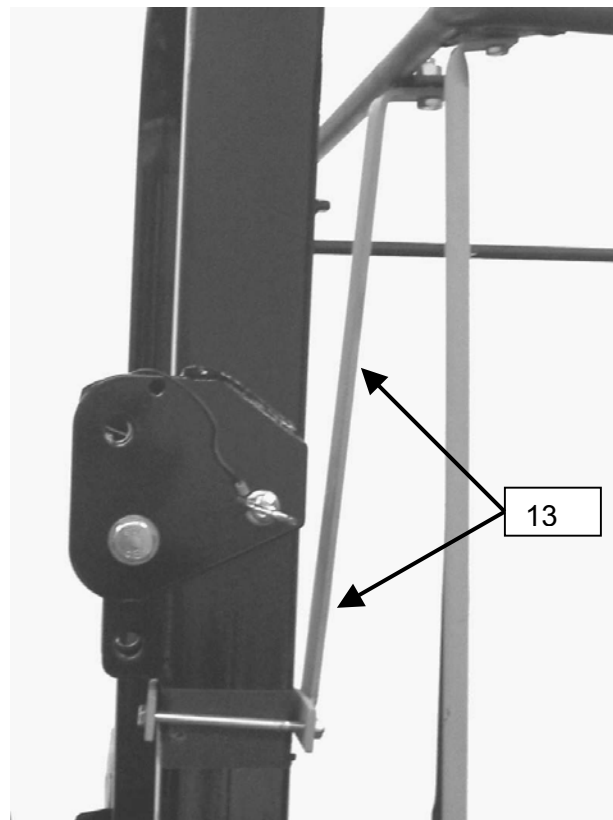
**C.** Place the ROPS Brackets over the ROPS bars as shown. Insert 1/4" x 4" bolts rearward through the holes and add a nuts.

**D.** Use 3/8" x 1" bolts with 3/8" flat washers and 3/8" lock nuts to secure the Bracket to the slotted tab on the Top Frame.



**Figure 8 A**

**Figure 8 B**



**Figure 8**

**Step 9: See Figure 9:**

Install the Doors for frame / door alignment.

**A.** Follow the instructions in the Door Hardware Package to install the Door Bottoms and the Door Latches.

**B.** Install, close and latch both Doors.

**C.** Tighten all bolts from previous steps at this time.

**D.** Remove the Doors by opening them and lifting the rod out of the bottom hinge.



**Figure 9**

**Step 10: See Figure 10:**  
Install Rear Curtain (15).

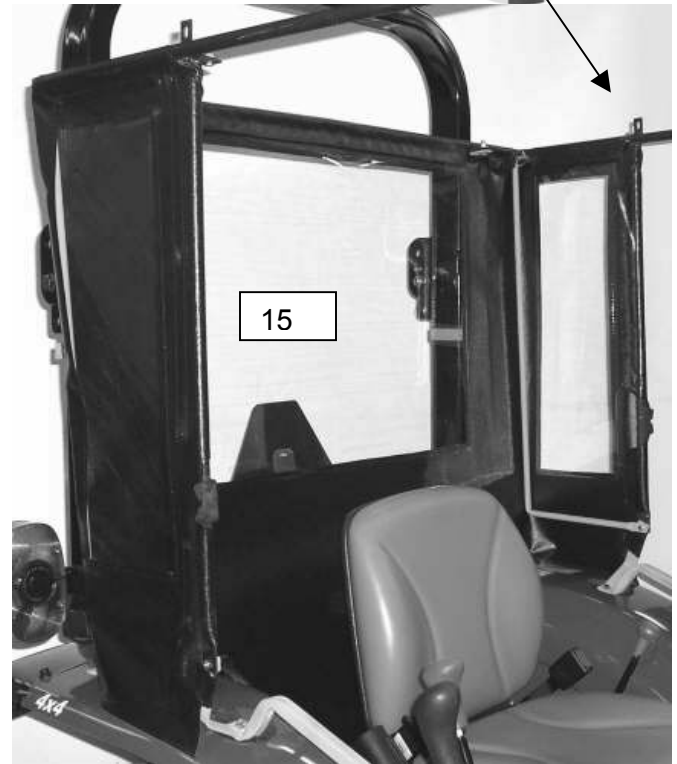
**A.** Position the Rear Curtain over the framework. Close the Velcro® flaps around the top frame at the back and corners.

**B.** Close the Velcro® flaps around the rear posts and brackets.

**C.** Place the flap at the bottom between the seat and the fuel tank.

**D.** Place a notched Plastic Protector over the bent ends of each rear post. (See inset)

**Caution:** Do not bend the plastic windows and be careful not to scratch them.



**Figure 10**

**Step 11: See Figure 11:**  
Install Front Panel Vinyl (16).

**A.** Place the Front Panel Vinyl over the hood and lay the rod sewn into the top flap over the Front Panel Frame cross bar.

**B.** Attach the vinyl to the splashguards by wrapping the Velcro® flaps around the tube. There should be room to slip the flaps between the tube and windows.

**C.** Close the Velcro® flaps around the Front Posts.

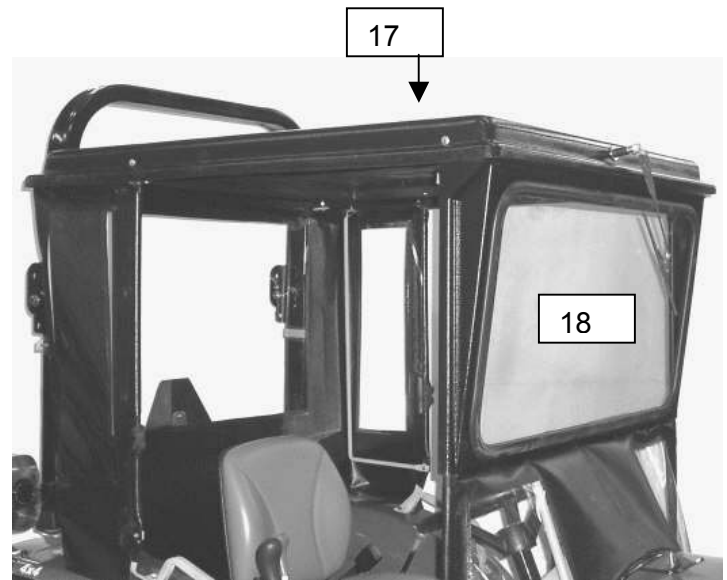


**Figure 11**

**Step 12: See Figure 12:**

Install Plastic Top (17) and Windshield (18)

- A.** Place the Plastic Top on the Top Frame.
- B.** Set the bottom lip of the Windshield frame on top of Front Panel Vinyl and the front panel frame cross bar. Raise the front of the top up and push the windshield against the frame. Lower the top trapping the windshield in place.
- C.** Insert four bolts with 1/4" flat washers through the top and the tabs. Add locknuts and tighten.
- D.** Install the Windshield Wiper per the instructions in the Wiper package.
- E.** Reinstall the Doors and attach the Velcro® flaps of the Front Panel Vinyl to the Doors.

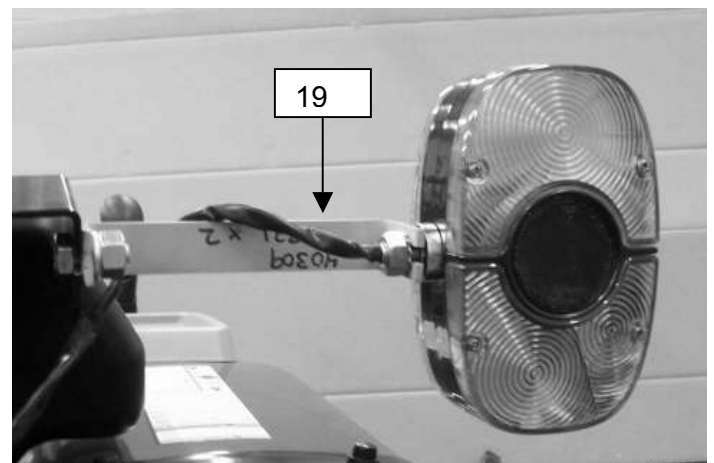


**Figure 12**

**Step 13: See Figure 13:**

Install Rear Light Extensions (19)  
(Boomer 40 & 50 Only)

- A.** Remove the nut from the light.
- B.** Place the Rear Light Extension in place with the notched end to the outside. Fasten it to the light bracket with the 1/2" x 1" bolt, 1/2" lock washer and the 1/2" nut. Tighten the bolt while keeping the extension in place as shown.
- C.** Insert the light stud into the notched hole and replace the nut and tighten it.



**Figure 13**

**Optional Cab Accessories:**

- # 9855 Flashing Amber Caution Light**
- #11133 Rear View Mirror, R or L Mount**
- #11560 Work Light Kit**



**For Replacement Parts and Accessories Contact:**

**Original Tractor Cab Co., Inc.**

**P.O. Box 97 6849 W. Front St.**

**Arlington, IN 46104**

**Phone 765-663-2214**

**Fax 765-663-2101**

**Email [Sales@originalcab.com](mailto:Sales@originalcab.com)**

**Visit us on the web to see our other products.**

**[www.originalcab.com](http://www.originalcab.com)**

**Cabs for Lawn Tractors, Garden Tractors, Compact Tractors, Snow Blowers, Utility Vehicles**

**Sunshades for Tractors, Mowers, & Utility Vehicles**

**Storage Covers for Lawn and Garden equipment.**