

CNH

Original Parts

INSTALLATION INSTRUCTIONS

#710660086 ALL WEATHER CAB 12 COMPACT TRACTORS

NEW HOLLAND MODELS

1530, 1630, 1725, 1925

TC25, TC25D,

TC29, TC29D, TC29DA

TC33, TC33D, TC33DA, TC34DA

CASE MODELS

DX29

DX 31, DX33, DX34

CARTON CONTENTS: ALL WEATHER CAB #710660086

Key#	Part#	Qty.	Description
1	40015	2	Front Mounting Bracket
2	40011	1	Foot, RH
3	40012	1	Foot, LH
4	40014	2	Foot Pocket Guard
5	40016	1	Front Panel Frame
6	10926	2	Front Post
7	40017	2	Roll Bar Clamp
8	40001	1	Top Frame
9	2236	2	1 1/4" U Clamp
10	10750	1	Rear Post, RH
11	10751	1	Rear Post, LH
12	40020	1	Door, RH
13	40021	1	Door, LH
14	40022	1	Door Bottom, RH
15	40023	1	Door Bottom, LH
16	4764	1	ABS Plastic Top
17	40019	1	Rear Curtain
18	40018	1	Front Panel Vinyl
19	40004	1	Safety Glass Windshield
20	10121	1	Windshield Wiper
21	9820	1	Door Hardware Package
22	40024	1	Hardware Package (contents listed below)
	786	14	1/4"-20 x 5/8" Cap Screw
	6653	2	1/4"-20 x 2" Cap Screw
	5144	2	1/4"-20 x 2 3/4" Cap Screw
	906	2	3/8"-16 x 1" Cap Screw
	8220	4	M8-1.25 x 20mm Cap Screw
	8797	2	M8-1.25 x 30mm Cap Screw
	730	18	1/4"-20 Two Way Lock Nut
	790	2	3/8"-16 Two Way Lock Nut
	9294	4	5/16"-18 x 3/4" Carriage
	2945	4	5/16"-18 Two Way Lock Nut
	1514	4	1/4" Flat Washer
	2908	4	3/8" Flat Washer
	7	10	5/16" Split Lock Washer
	4902	2	Plastic Protector, Small
	9813	2	Plastic Protector, Large
	9814	1	Clear Vinyl Tube 1/2" x 6"

Accessories Available for this cab: #40009 Electric Wiper Conversion Kit
#9855 Flashing Amber Caution Light
#11133 Rear View Mirror
#11560 Work Light Kit

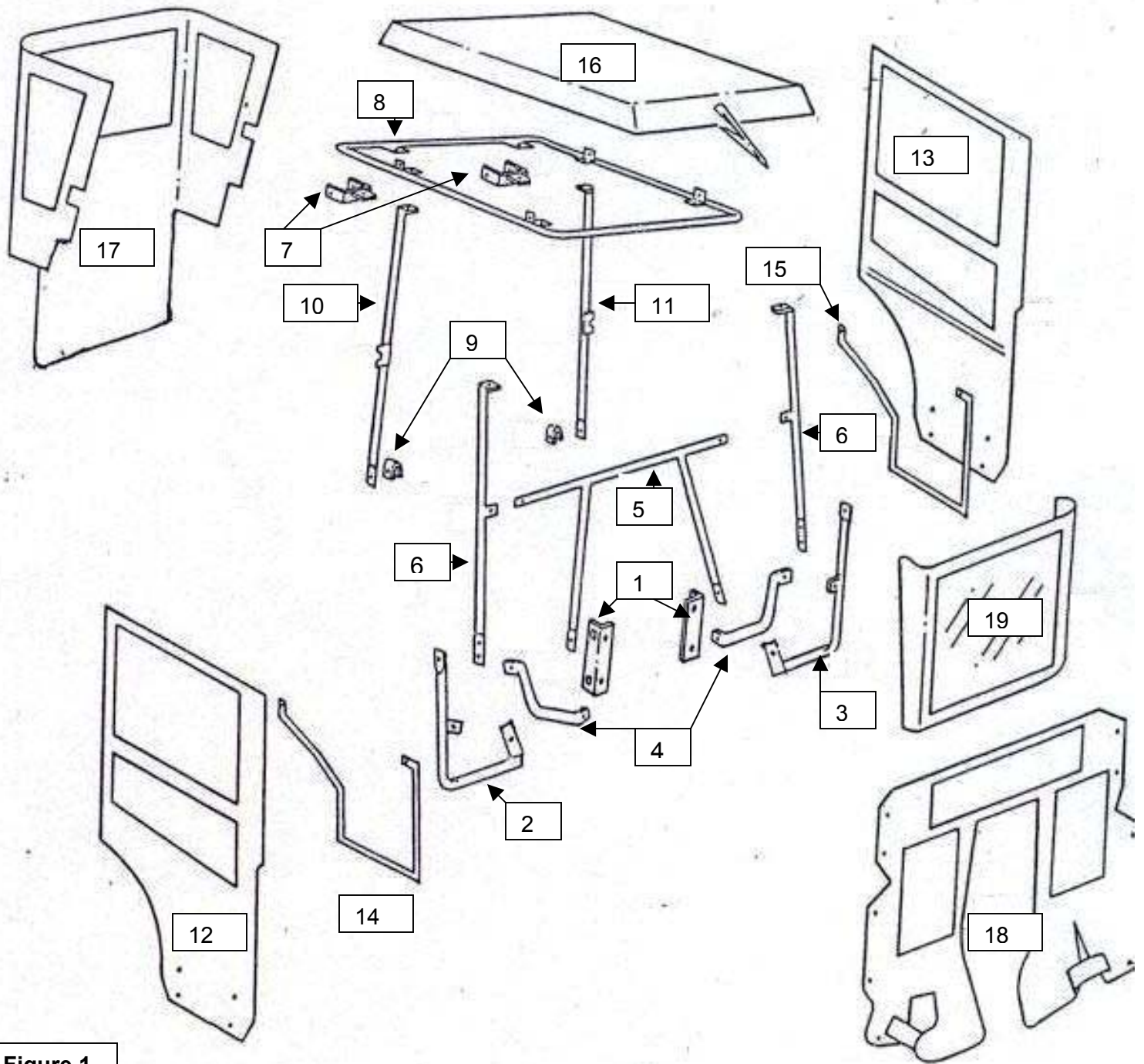


Figure 1

Step 1; See Figure 1:
 Use the carton contents list and Figure 1 to identify the parts.



WARNING

This cab is designed to provide foul weather protection only. It does not provide protection from noise, exhaust fumes, chemicals or injury from collision, or other accidents.

1. Do not operate machine in confined areas without proper ventilation
2. Thoroughly check area of operation before using the machine
3. The cab adds height to the machine. Low tree limbs and other overhead structures that did not interfere with the operation of the machine before, may now be obstacles

MAINTENANCE INSTRUCTIONS

Periodically check all bolts to see that they are tight. If bolts become loose, failure of cab parts may occur.

Door latches and hinges should be lubricated with light machine oil for proper operation.

**DO NOT CLEAN THE CLEAR PLASTIC WINDOWS WHEN THE PLASTIC IS DRY.
THE CLEAR PLASTIC WILL SCRATCH.**

Avoid contact with plastic windows. Keep plastic windows clean by washing them with clear running water and rubbing with your bare hands, only. The use of a rag, sponge or brush will scratch the plastic. Liquid soap may also be used for window cleaning. During freezing weather, an automotive windshield washer solvent may be used.

Use liquid soap and water to clean colored vinyl portions. Scrubbing with a brush or rag is also permitted on the colored vinyl portions

TRANSPORTATION

Do not transport the cab equipped tractor on an open truck or trailer at highway speeds without first removing the vinyl panels. Failure to do so may result in lost or damaged parts.

STORAGE INSTRUCTIONS

Prior to storage clean the windows and colored vinyl parts with a mild automotive detergent, rinse with clean water and allow to thoroughly dry, Store cab in a clean dry place out of direct sunlight. Avoid folding plastic windows.

READ THIS MANUAL COMPLETELY BEFORE BEGINNING INSTALLATION.

- The right side of the machine is determined from the operators seated position.
- The words “bolt” will refer to a 1/4”x5/8” bolt and “nut” will refer to a 1/4” locknut.

Step 2; See Figure 2:

Install Front Mounting Brackets (1).

A. Raise the hood. (Remove side panels on older units.) Remove the bolts at Reference A. Insert two 5/16" x 3/4" Carriage bolts out through the holes in one side of the Bracket.

B. Place the Bracket onto the firewall. Insert two M8 x 20mm bolts with lock washers into the holes and tighten.

C. Repeat the above step on the other side of the tractor. Replace panels and close hood.

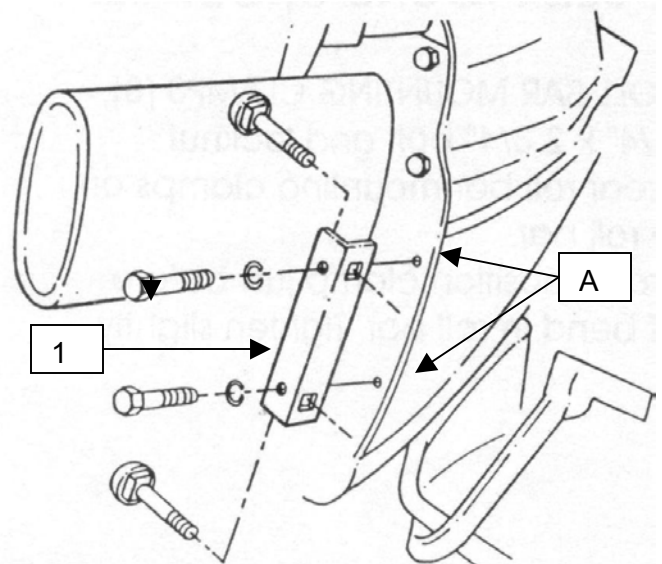


Figure 2

Step 3; See Figure 3:

Install right and left Foot (2 & 3)

A. Pull the rubber floor mat back to reveal the bolt at Reference B. Remove the bolt and washer.

B. Place the right foot over the bolthole. Insert an M8 x 30mm bolt with 5/16" lock washer into the holes. Tighten the bolts.

C. Repeat the above steps on the left side. Replace the floor mat.

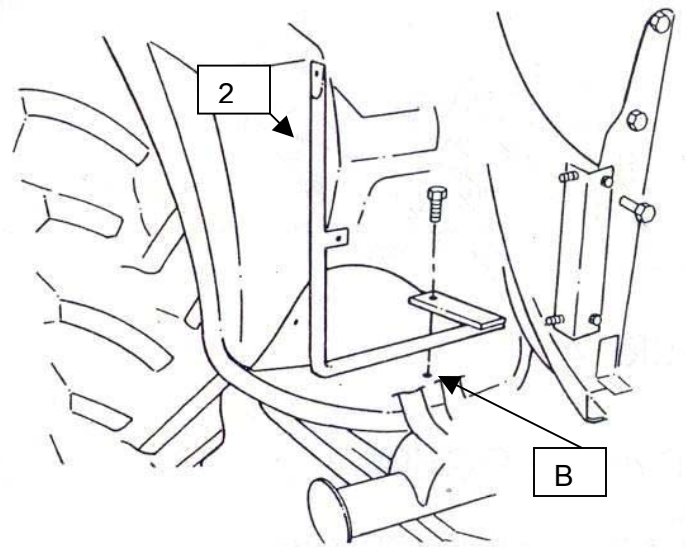


Figure 3

Step 4; See Figure 4:

Install Front Panel Frame (5), Front Posts (6) and Foot Pocket Guards (4).

A. Place each leg of the Front Panel Frame over the upper bolts in the Front Mounting Bracket. Add nuts do not tighten at this time.

B. Place the large hole end of the Foot Pocket Guard over the lower bolts on the Front Mounting Bracket. Add a nut do not tighten. Secure the other end to the Foot with a nut and bolt. Do not tighten at this time.

C. Repeat the above step on the other side.

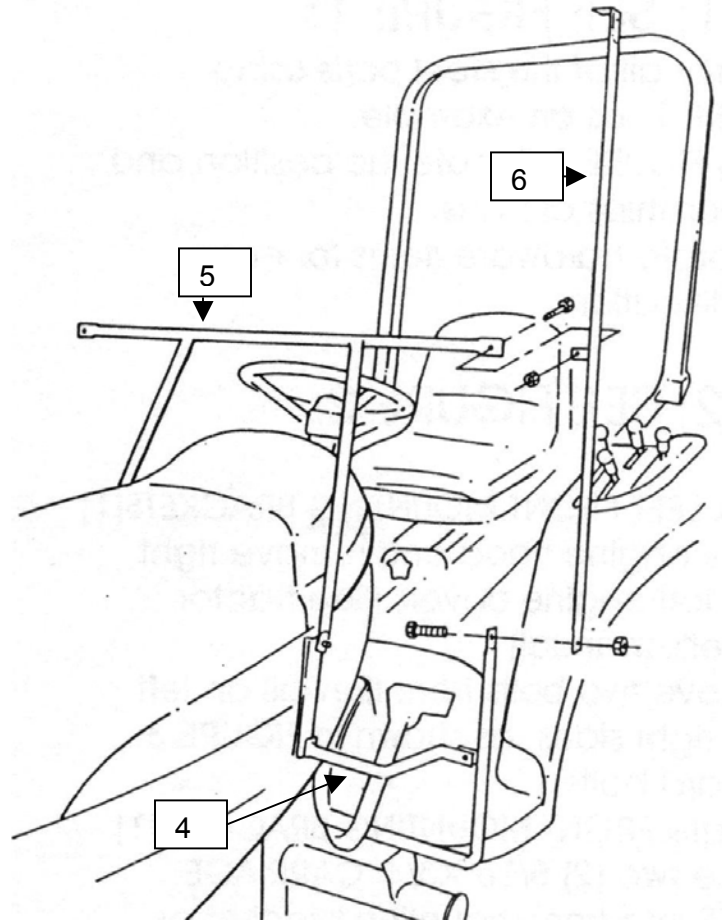


Figure 4

Step 5; See Figure 5:

Install Top Frame (8), Roll Bar Clamp (7).

A. Place the clamps over the roll bar and insert 1/4" x 2 3/4" bolts through the holes. Add nuts do not tighten.

B. Hold the clamps just below the bend and tighten just enough to hold them in place.

C. Place the Top Frame onto the front posts and clamps. Use two bolts and nuts to attach the frame to the front posts.

D. Use two 3/8" x 1" bolts with 3/8" lock nuts and 4 flat washers to attach the frame to the clamps.

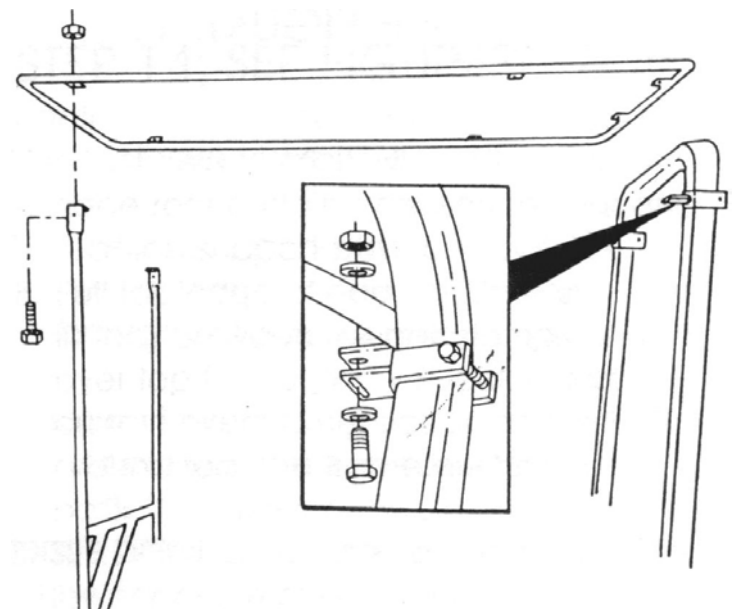


Figure 5

Step 6; See Figure 6:

Install right and left Rear Posts (10 & 11)

A. Insert a bolt upward through the bent tab of the right Rear Post and then the tab welded to the Top Frame. (latch plate should be forward with notch to the outside). Add a nut. Do not tighten.

B. Cut the vinyl tube into 2 - 3" pieces. Split both pieces lengthwise and cover the inside of the clamps with the pieces. Place the U Clamps over the handles and secure the Rear Posts to them with a 1/4" x 2" bolt and nut. Do not tighten.

H. Place the two Plastic Protectors over the bent tabs of the Rear Post.

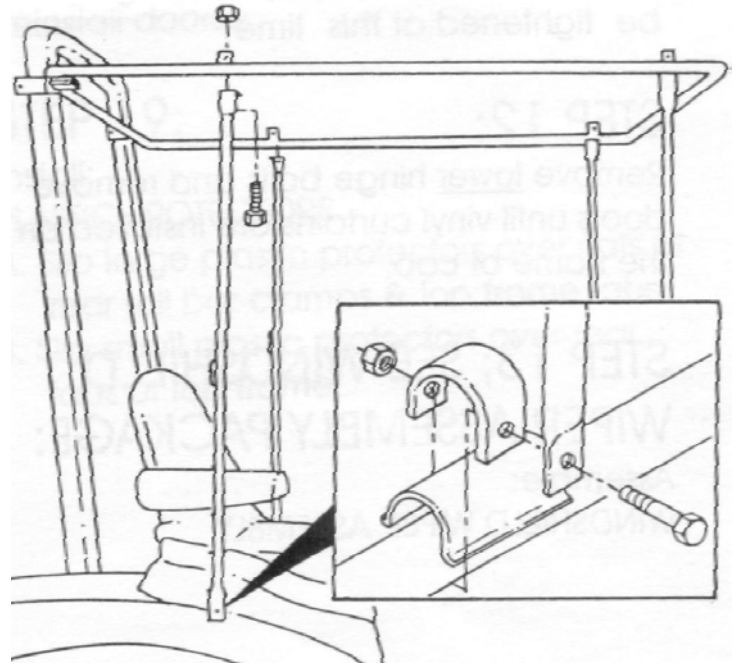


Figure 6

Step 7; See Figure 7:

Install Rear Curtain (17).

A. Close the snap flaps over the rear and sides of the Top Frame.

B. Close the snaps flaps over the rear posts.

C. Place the lower flap with sewn-in rod behind the seat.

D. Secure the ties to the roll bar.

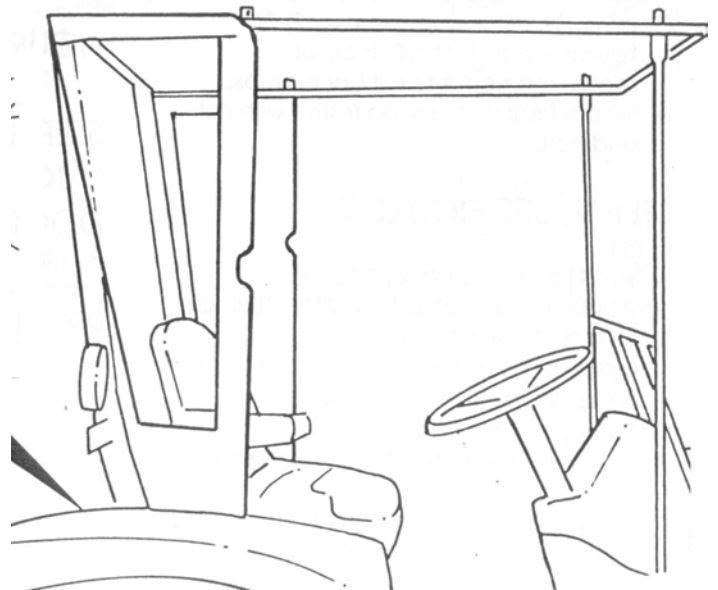


Figure 7

Step 8; See Door Hardware Instructions:

Install the Doors for frame / door alignment.

- A.** Follow the instructions in the Door Hardware Package to install the Door Bottoms and the Door Latches.
- B.** Install Doors, do not tighten top hinge bolts, as doors will be removed after alignment.
- C.** Close and latch both Doors. Adjust clamps on handles as needed.
- D.** Tighten all bolts from previous steps at this time.
- E.** Remove the doors at top hinge.

Step 9; See Figure 1:

Install Front Panel Vinyl (18)

- A.** Place the Front Panel Vinyl over the dash.
- B.** Lay the rod sewn into the top of the Front Panel Vinyl over the Front Panel Frame. Close the snap flaps around the Front Posts.
- C.** Clean the area on the lower sides of the dash where the Velcro will fasten. Apply the adhesive part of the fastener to the tractor and secure the vinyl.
- D.** Fit the vinyl around the pedals and secure Velcro tabs together.

Step 10; See Figure10:

Install Windshield (19) and Plastic Top (16)

A. Place the Plastic Top onto the Top Frame.

C. Place the lower edge of the Windshield on top of the Front Panel Vinyl and Front panel Cross Bar trapping the vinyl in place.

D. Raise the front of the top and push the windshield back against the frame. Lower the top over the top edge of the windshield trapping it in place.

E. Insert four bolts with 1/4" flat washers through the Top and the Top Frame tabs. Add locknuts and tighten.

F. Install the windshield wiper per the instructions in the package.

G. Reinstall the doors.



Figure 10



For Replacement Parts Contact:

Original Tractor Cab Co., Inc.

P.O. Box 97 6849 W. Front St.

Arlington, IN 46104

Phone 765-663-2214

Fax 765-663-2101

Email Sales@originalcab.com

Visit us on the web to see our other products.

www.originalcab.com

Cabs for Lawn Tractors, Garden Tractors, Compact Tractors, Snow Blowers, Utility Vehicles

Sunshades for Tractors, Mowers, & Utility Vehicles

Storage Covers for Lawn and Garden equipment.