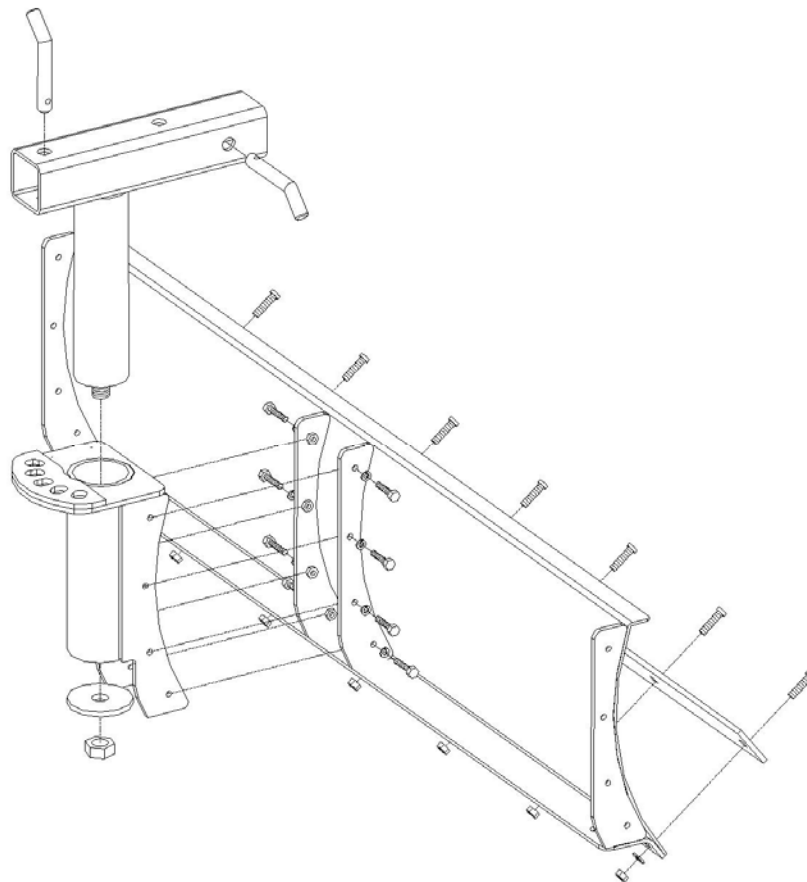




FRB-48/60 – Rear Blade

No.	Part Name	Description	Qty
1	Blade Assembly	48" or 60"	1
2	Cutting Edge	48" or 60"	1
3	Swivel Yoke Assembly		1
4	Swivel Bracket Assembly		1
5	Large. Washer with 3/4" Hole		1
6	Bent Hitch Pin	5/8" x 3"	1
7	Bent Hitch Pin	5/8" x 4"	1
8	Nylock Nut	3/4"	1
9	Carriage Bolt	5/16" x 1-1/4"	7 or 9
10	Washers	5/16"	7 or 9
11	Nylock Nut	5/16"	7 or 9
12	Bolt	5/16" x 1"	8
13	Lock Washer	5/16"	8
14	R-Pins - Keeper	Φ3mm	2



Assembly Instructions:

1. Secure #2 (Cutting Edge) to #1 (Blade Assembly) with 5/6" Carriage Bolts, Washers and Nylock Nuts.
2. Secure #4 (Swivel Bracket Assembly) to #1 (Blade Assembly) with (8) 5/16" Hex Bolts and Lock Washers.
3. Secure #3 (Swivel Yoke) to #4 (Swivel Bracket Assembly) using #5 (Large Washer) and #8 (3/4" Nylock Nut).
4. Use #7 (4" Bent Hitch Pin) at Pivot Location
5. Use #6 (3" Bent Hitch Pin) to secure Rear Blade to Accessory Tool Bar Location.

For additional assistance, please contact our customer service department at (877)-9KOLPIN or customerservice@kolpin.com.

Kolpin Powersports, Inc.
205 N Depot Street
Fox Lake, WI 53933

Phone: 920-928-3118
Web: www.kolpinpowersports.com