

Polaris Ranger XP Crew Roof Foam Liner Insulation



Product Instructions | Part No: 29020

APPLICATION: Polaris Ranger XP Crew 900/1000, verify accessory fitment at Kolpin.com.

BEFORE YOU BEGIN: Read these instructions and check to be sure all parts and tools are accounted for. Please retain these installation instructions for future reference and parts ordering information.

Note: If any hardware is missing, do not return to the store. Call us to help, Toll Free 1-877-956-5746.

TOOLS / CONSUMABLES REQUIRED

- Cleaning Solution (99% water + 1% mild dishwashing detergent)
- Cloth, Non-Abrasive (Cheesecloth or equivalent)
- Isopropyl Alcohol (IPA)

ASSEMBLY TIME: Approximately 18 minutes

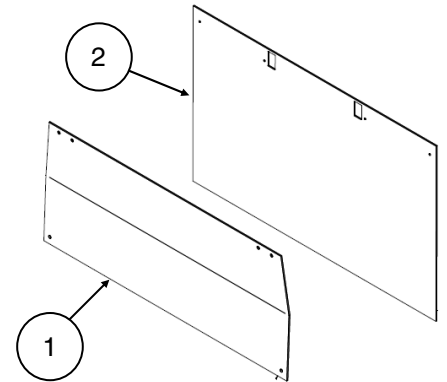
IMPORTANT: Your Kolpin Roof Foam Liner Insulation Kit is exclusively designed for your vehicle. Please read the installation instructions thoroughly before beginning. Installation is easier if the vehicle is clean and free of debris. For your safety, and to ensure a satisfactory installation, perform all installation steps correctly in the sequence shown.

INSTALLATION INSTRUCTIONS

1. Shift vehicle transmission into "PARK". Turn key to "OFF" position and remove from vehicle.
2. Set roof on soft surface. Clean the inside (lower) surfaces of roof with mild cleaning solution and wipe with isopropyl alcohol.
Note: If your roof is already installed on vehicle, remove the accessory roof to gain access to install the foam liner insulation.

KIT CONTENTS

Item	Qty	Part Description
1	1	RGR XP Crew Front Roof Foam Liner
2	1	RGR XP Crew Rear Roof Foam Liner
3	1	Instruction Guide (not shown)



Kit Contents: This kit contains part for installation of the roof foam liner only. Prior installation of Steel Roof Kit, PN 29120, or Poly Roof Kit, PN 27105, is also required (sold separately).



WARNING

Isopropyl alcohol is hazardous to your health. See isopropyl alcohol packaging for proper handling instructions, including recommended personal protective equipment such as goggles

INSTALLATION INSTRUCTIONS

3. Apply foam insulation pads (items #1 and #2) to the inside surfaces of the front and rear roof panels as shown. Align the pre-cut holes with roof panel holes. The rear foam will align with the front leading edge of the rear roof panel. (See illustrations 1-1, 1-2 and 1-3). **Note: Carefully peel back the paper away from adhesive.**

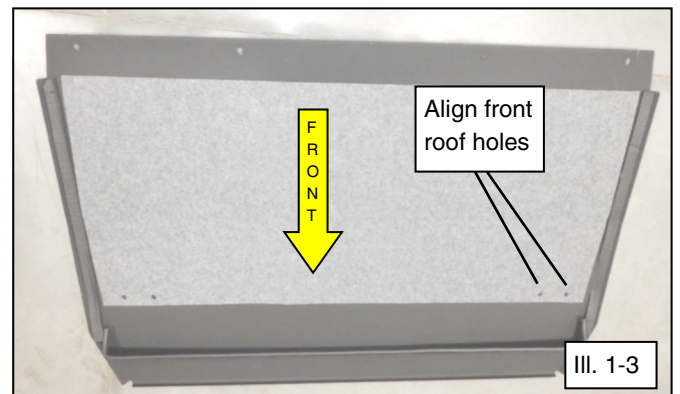
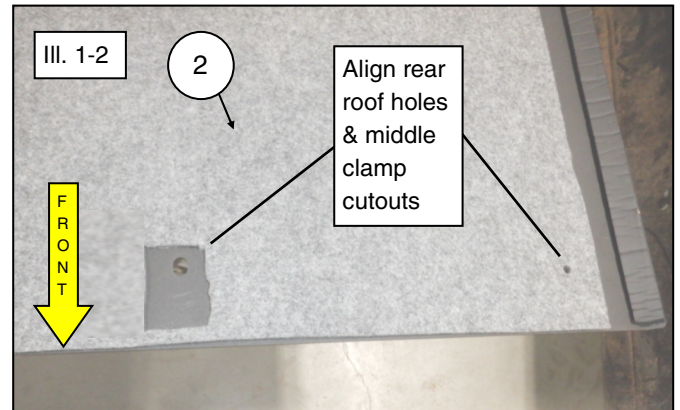
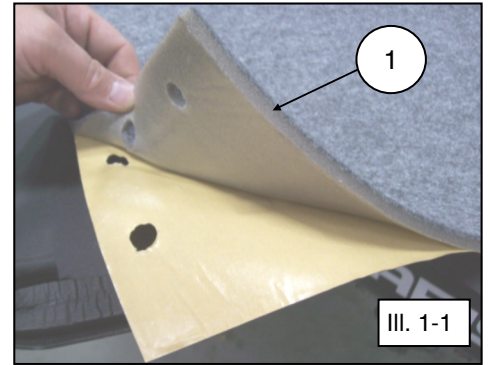
TIP

Test fit foam liner to roof and cab frame to determine proper placement of foam pad.

4. Place roof on the top of the vehicle cab frame and continue with installation. Refer to roof installation instructions.

IMPORTANT

- Check accessory mounts frequently and retighten hardware if necessary.
- Replace this accessory with a new one if it becomes damaged.
- Never use petroleum solvents such as gasoline, thinner benzene, acid or alkaline cleaners.



For additional assistance, please contact Kolpin customer service department at (877) 956-5746 or (763) 478-5800 or email customerservice@kolpin.com

One Year Limited Warranty

For the period of one (1) year from the purchase date, Kolpin will replace for the original purchaser, free of charge, any part or parts found upon examination by Kolpin to be defective in material, workmanship, or both.

All transportation costs incurred submitting product to Kolpin for warranty consideration must be borne by the purchaser. If Kolpin determines that the product must be returned to the factory for credit, please call 1-877-956-5746 for a Return Merchandise Authorization (RMA) number and shipping instructions.

This warranty does not apply to parts that have been damaged by accident, alteration, abuse, improper maintenance, normal wear, or other causes beyond the manufacturer's control. In order to protect you and your ATV, certain parts of the accessory system and/or hardware are designed to fail when the equipment is over-stressed. Parts that are lost due to loosening and improper maintenance are not covered under warranty. This warranty does not cover removal or reinstallation labor fees of the plow system and related components.

Peripheral products such as engines, electric motors, and actuators may carry an original manufacturer's warranty. Most hardware is general in nature and is easily obtained locally. Be sure to replace with minimum metric class 8.8 specification.